



Let the Sunshine In!

Remember!
Various areas in the interactive version of this document have direct links to expanded information. Just click on the highlighted link.

Telephone: 407-859-2117 • FAX: 407-859-6607 • www.Sun-Tek.com



Mission Statement

Sun-Tek Manufacturing, Inc

Sun-Tek Manufacturing, its associates and vendors, are dedicated to producing high quality skylights that are the most economically efficient. We will maintain a winning philosophy that the customer always comes first and that our employees are invaluable partners. We will conduct business with the highest standards of professionalism, character and moral conduct. We will continue to grow our business within our means while providing a healthy return of investment to our customers, employees and principals.





founded in Orlando, Florida, has been providing the home building industry with quality natural lighting products and accessories for over thirty years. A privately owned American corporation, Sun-Tek offers its customers - service before and after the sale with needed support to achieve the customers stated goals.



About Sun-Tek

- In business for over 30 years
- Shipping Nationwide
- 100% American Owned & Operated
- Experience with Big Box Retailers
- Extensive Special Order experience
- Flexibility in developing exclusive in-house stock programs to shorten lead times and reduce inventory carrying costs. (i.e. increased turns).
- Private branding is also an option on a limited basis

Customer Service

- Knowledgeable: The average years of service at Sun-Tek for all Customer Service Reps is 18 years.
- Direct Access to Engineering for Detailed/Complicated questions.
- A full line of brochures, flyers and technical materials available
- Active website supporting all informational needs for customer use

Product Offering

- Glass Skylights - *8 Models / 21 standard sizes*
- Polycarbonate Skylights - *10 Models / 17 standard sizes*
- Tubular Skylights - *2 Models / 3 standard sizes*
- Multi-tube System - *5 Configuration Models*
- Extreme Weather Units - *6 Models for all Applications*
- Self Flashing & Curb Mount Commercial Models
- We fabricate custom skylights in both Glass & Polycarbonate on a daily basis



Product Knowledge Sheet

FACTS

1. WATER DIVERSION CHANNELS

- ◇ Four 3/16" high fins spaced 1" apart
- ◇ Designed to channel water off skylight
- ◇ Allow for dry application of shingle to flange
- ◇ Used in connecting skylights for grid system

2. INTEGRAL GLAZING SYSTEM

- ◇ EPDM rubber serves as seat for glass to rest on. Soft and protective
- ◇ Silicone used to fasten glass to aluminum frame
- ◇ Eliminates fasteners and thus pressure points
- ◇ Complete continual seal
- ◇ 30+ year life expectancy
- ◇ 50% expansion tolerance allows glass to free float and move with roof
- ◇ Commercial process of glazing glass pioneered by silicone manufacturers GE and Dow Chemical for many years

3. FLASHING SYSTEM

- ◇ 4" wide aluminum flange
- ◇ 0.06" gauge thickness
- ◇ Pre-drilled for nailing (fasteners supplied)
- ◇ Sturdy one-piece construction allows for quick and effective installation
- ◇ Underneath side scored for grid system
- ◇ Heliarc welded corners
- ◇ 20 year corrosion through guarantee

4. CLASSIC CURB

- ◇ One-piece outer aluminum curb
- ◇ Solid integrated system with flange
- ◇ A variety of profiles available to suit any roof type.
- ◇ Interior of clear, treated, natural Yellow Pine can be painted or stained



American Owned and Made



Product Knowledge Sheet con't

FACTS

5. GLAZING

- ◇ Dual sealed 7/8" insulated glass
- ◇ Butyl/silicone dual seal (Tremco Swiggle®)
- ◇ Choice of Low E, tempered, laminated, clear or bronze glass in combination
- ◇ 20 year glass warranty

6. THERMAL PROPERTIES

- ◇ "Zero" air infiltration
- ◇ Energy efficient wooden interior
- ◇ Special wick system to remove condensation.
- ◇ No condensation build-up
- ◇ Continuous butyl rubber gaskets are integrated into wooden curb for maximum seal

7. DECORATIVE FRAME

- ◇ Elegantly designed light low profile
- ◇ No ugly exterior fasteners
- ◇ Simple to clean and maintain
- ◇ Choice of white, mill, antique bronze or bright copper

8. HARDWARE

- ◇ Operating hardware designed by Truth Hardware the most effective and efficient in the industry
- ◇ Crank assembly will withstand 160 lbs. of pressure
- ◇ Extension poles and universal joints available for those hard to reach places
- ◇ Electric motors with easy installation available for all vented models



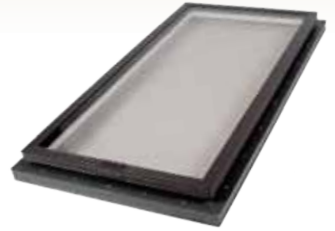
American Owned and Made



How do I apply the New Standards?

Some Background

Wind speed lines have changed because of the improved science such as computer simulations. This new science has led to taking a more complex look at key hurricane characteristics. Each wind speed line value is different for the 2010 standard due to a change in the wind speed calculation philosophy.

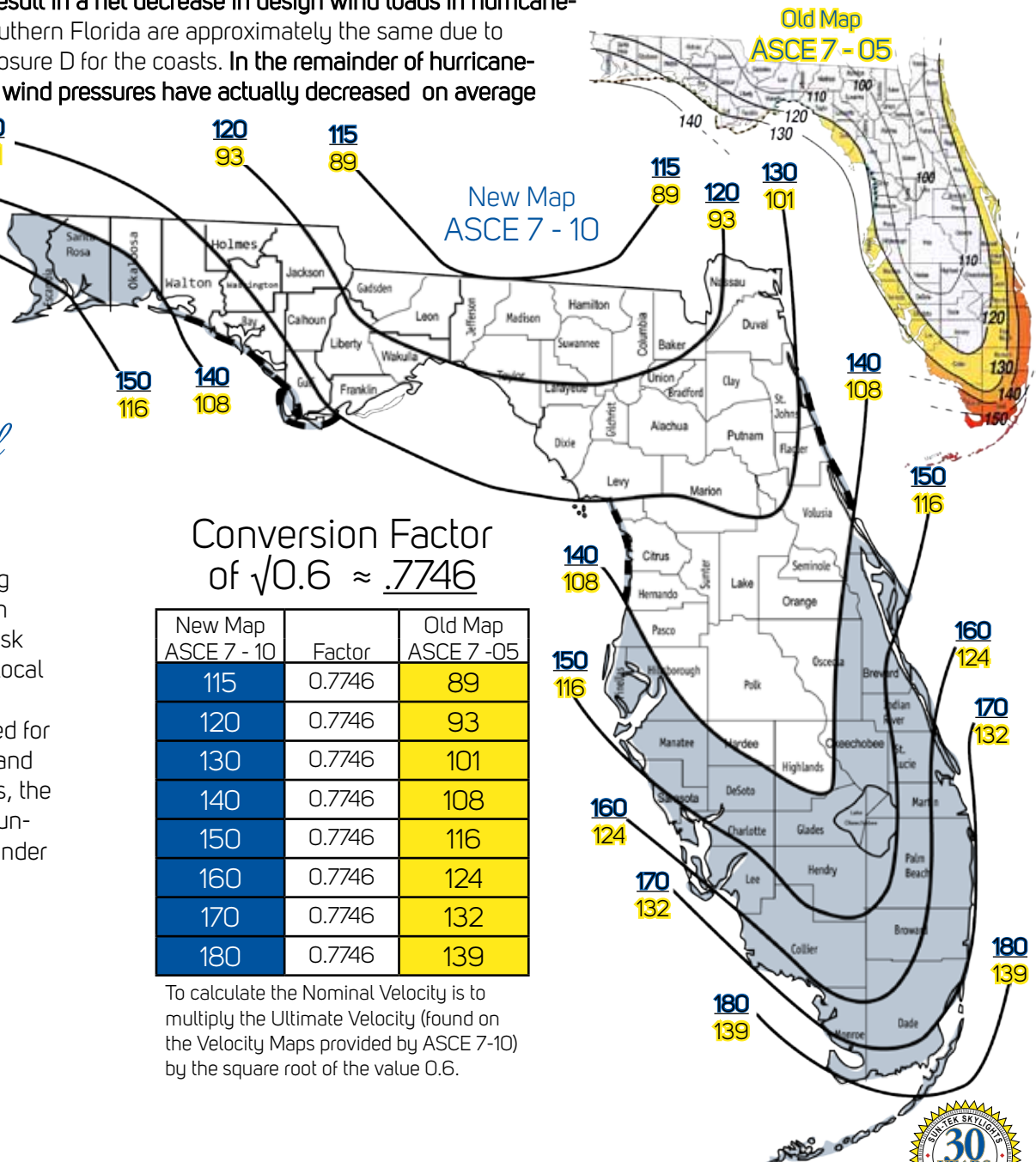


Design Wind Loads

The new maps, when used in combination with the 1.0 load factor on wind for strength design and the 0.6 factor on wind for allowable stress design, **result in a net decrease in design wind loads in hurricane-prone regions.** Parts of southern Florida are approximately the same due to the re-introduction of Exposure D for the coasts. **In the remainder of hurricane-prone regions, the design wind pressures have actually decreased on average approximately 20% from the ASCE 7 -05 levels.**

How to Proceed

While there will be some confusion as these new numbers become the established norm, working closely with all involved in projects from the sales desk all the way through your local county inspectors should provide the support needed for a successful transition. If and when confusion still exists, the helpful professionals at Sun-Tek are always there to render assistance.



To calculate the Nominal Velocity is to multiply the Ultimate Velocity (found on the Velocity Maps provided by ASCE 7-10) by the square root of the value 0.6.





American Owned and Made



SUN-TEK TUBE PRODUCT KNOWLEDGE SHEET

Benefits of a Sun-Tek Tube Skylight

- 1. Leak proof Dome** - Because of the one-piece seamless construction, the tube is completely leak proof.
- 2. Unbreakable** - The exterior dome is made of super tough polycarbonate, which makes it virtually impervious to hail, tree branches or anything else! Polycarbonate is 30 times stronger than acrylic!
- 3. Holds on Tight** - Because of the amount of fasteners we use, (for example: 21 fasteners for the 10" Sun-Tek tube vs. 4 fasteners for our competitor) as well as our exclusive "roof-grip" ridges, the tube will stay attached to the roof, making sure it just won't leak. In fact, these ridges increase the sealant area by 30% over a similarly sized flat flange. Our dome passed Dade County's large missile impact test and tested to the equivalent of 276 mph wind speed (**Hurricane Impact**).
- 4. Attractive** - Our unit has the lowest profile on the market (5 1/8" for the Sun-Tek Tube vs. 9 1/2" for competitor's 10" model) which means it will look the best on the roof.
- 5. Everything is Included** - Inside the box we provide everything, even including fasteners and sealant. We've also written our instructions with the consumer in mind so that they are easy to follow in a step by step fashion.
- 6. Removable Interior Lens** - Magnetic catches allow for easy removal for cleaning and light bulb replacement.
- 7. Curb Mount Tube** - The self-flashing tube skylight is for use on asphalt shingled roofs. The curb mount tube can be used on all other types (flat, tile, rubber, shake, metal, etc.).
- 8. Spyder** - Sun-Tek's Multi-Tube System, allowing up to 4 tubes from a single roof opening. See Flyer.

SIZING INFORMATION (NOTE: Interior opening & roof opening are the same.)

(Applies to both the Self Flashing & Curb Mounted)

TUBE SIZE	TUBE LENGTH INCLUDED	RECOMMENDED TUBE LENGTH	ROOF OPENING	OUTSIDE CURB DIMENSIONS <small>CURB MOUNTED ONLY</small>	AREA ILLUMINATED	HEIGHT from ROOF DECK
10 inches	48"	Max: 10 feet Min: 18 inches	10 1/8"	13 1/2" x 13 1/2"	150 square feet	5 1/8"
14 inches	48"	Max: 20 feet Min: 18 inches	14 1/8"	17 1/2" x 17 1/2"	250 square feet	7 1/8"
21 inches <small>(Commercial Use)</small>	48"	Max: 30 feet Min: 18 inches	21 1/8"	24 1/2" x 24 1/2"	450 square feet	9 1/8"

The Dome

- One-piece seamless construction made of UV stable polycarbonate
- Very high impact resistance (30 times stronger than acrylic)
- Blocks 99% of damaging UV rays
- Exclusive "roof-grip" ridges increase sealant bonding area by 30% over a similarly sized flat flange
- Fasteners: 10 inch installed with (21) #8 screws; 14 inch - (21) #8 screws; 21 inch - (35) #8 screws
- Meets or exceeds all Hurricane wind zone and impact criteria
- Dome is made from Hyzod SL(Sun Life polycarbonate) which offers the best of both worlds - impact protection of AKROLON® sheet and the UV resistance of acrylic. State-of-the-art extrusion technology creates a tough, consistent quality product that will exhibit superior performance for years to come.
- This polycarbonate material has been tested and approved for use in Metro Dade approved skylights.

The Tube

- Tube is made from Alanod Miro™ material. The aluminum sheet is covered with super reflective and reflection reinforcing layers using a PVD process (Physical Vapor Deposition).
- Virtually no iridescence so the sun shines through with no prismatic effect to the color. Excellent Color Rendering Index (CRI) which means you get the true color of the light shining.



American Owned and Made



- Optical Properties

Total Reflectance	95% (Minimum)
Image Clarity	90% (Minimum)
Specular Reflectance	92% (Minimum)
Diffuser Reflectance	0.01% (Maximum)
- Each unit ships with 2 elbows (15" length when straightened) and 1 22" straight connector . The elbows for all three sizes are 15 inches long (where straight); and rotate up to 45 degrees. Total tube length included in the box is 48". Additional elbows and/or straight connectors are available. Typically, only additional straight connectors would be needed.
- Each diffuser lens is held in place with magnetic catches to allow for easy removal for cleaning/light bulb changing.
- Gasket around diffuser (already applied) prevents any air from getting into the tube.

Warranty

- 10 year limited warranty - See Installation Instructions

Testing Data

The Sun-Tek Tube has been tested to the following specifications: AAMA 1600-90, AAMA 1605.1-87 & FMHCSS, Part 3280.305, DCBCCD PA201, PA202, PA203 (impact protocol) ICBO AC16 (criteria for Plastic Skylights)(calculation for snow load). The 21" Sun-Tek Tube tested at the National Certified Testing Lab facility. The tube was tested to a wind speed of 281 miles per hour (202.8 lbs. per square foot of pressure) without failure. The test was terminated at this wind speed. **(See your rep or call Customer Service for test results)**

Other

- Included is one tube of STS 1000, our butyl sealant.
- Included is ten yards of aluminum tape.
- Also included is a galvanized steel (22" gauge) roof collar, that can be used by the homeowner in the event that they cut the roof opening too large.

The sizes of the collar are:

<u>Tube</u>	<u>Collar Dimension</u>
--------------------	--------------------------------

10"	14" collar
14"	18" collar
21"	25" collar

- Further information on all parts and components used in the Sun-Tek Tube is available from Sun-Tek Manufacturing.

Accessories:

- | | |
|--------------------------------|--|
| 20"and 48" Extensions | - available for situations requiring more than 48" of tubing |
| 50-Watt Light Kit | - extra light source, day or night |
| Elbow Connectors | - elbows that turn up to 45° angle to get around obstruction |
| Aluminum Curb | - one-piece aluminum curb for use with curb mount tube |
| Shallow Attic Accessory | - for shallow attics and cathedral ceilings where there isn't room for stock tube length |



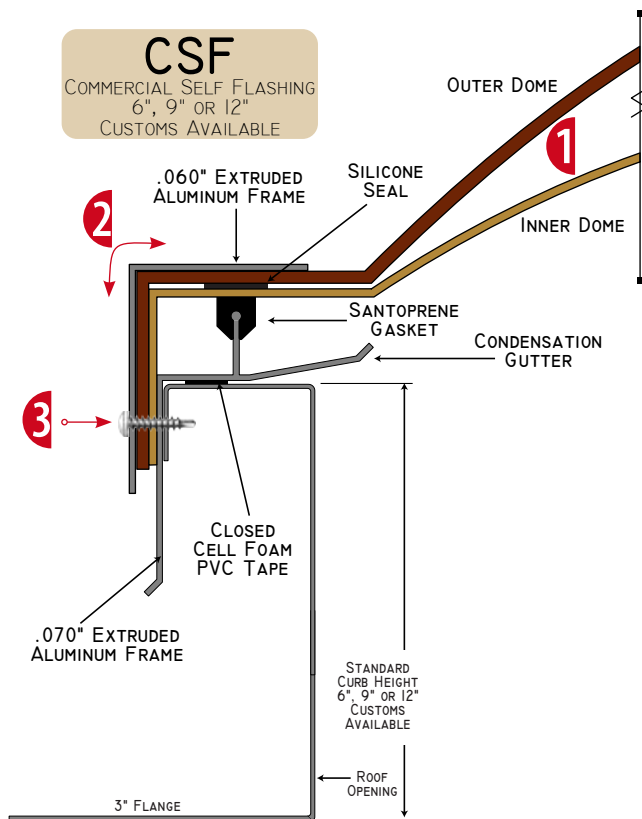
American Owned and Made



Sun-Tek vs. The Competition

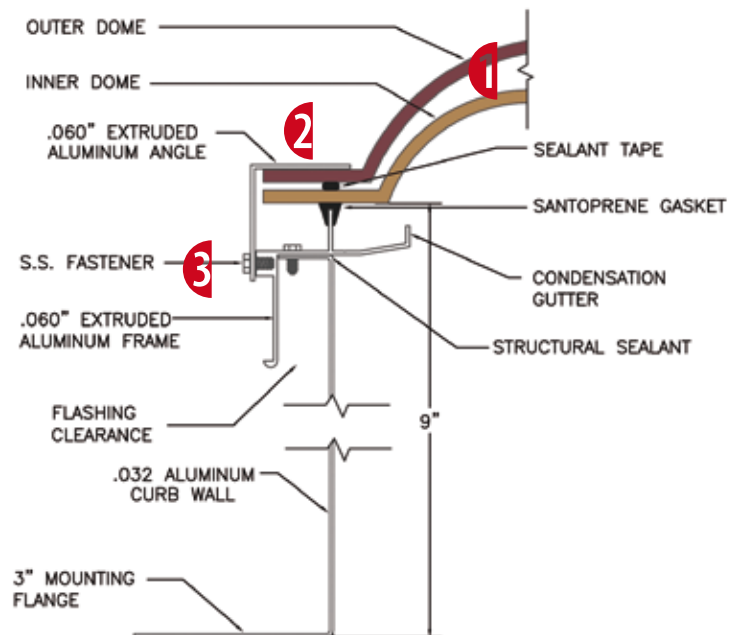
How Do We Stack Up?

Sun-Tek



1. **POLYCARBONATE (STANDARD)**
30 times more impact resistant than Acrylic and at a competitive price
2. **THERMO FORMED OVER THE CURB**
Can't leak - Two continuous sheets of polycarbonate wrapped around and down the curb
3. **FASTENED**
More stability with the outer aluminum ring and the polycarbonate secured with fasteners through the curb

Brand "X"



1. **ACRYLIC (STANDARD)**
Much more likely to fracture over time
2. **JUST RESTS ON THE CURB**
Subject to leakage from wicking back under the acrylic sheet
3. **NOT FASTENED TO THE CURB**
The acrylic sheet is not fastened directly to the curb. Structure and stability can be compromised under load.



TYPICAL PROPERTIES OF POLYCARBONATE VS. OTHER PLASTICS

	POLYCARBONATE	ACRYLIC	PLEXIGLAS®DR	BUTYRATE	
Impact Strength - Notched Izod 1/8" Speciman (73°)	16.0	.4	1.8	0.8 - 6.3	
Heat Deflection Temp. °F 66psi 264 psi	285 275	225 205	172	130 - 227 113 - 202	
Tensile Yield Strength (psi)	8,000 - 9,500	8,000 - 11,000	6,500	2,600 - 6,900	
Tensile Modulus 10° (psi)	3.36	4.0	2.65	2.0 - 2.5	
Flexural Yield Strength (psi)	13,500	12,000 - 17,000	8,900	4,000 - 9,000	
Rockwell Hardness	M70 - R118	M80 - M100	R110	R30 - R115	
Elongation (%)	100%	5%	55%	50%	
Clarity	Transparent Translucent or Opaque	Transparent Translucent or Opaque	Transparent (Tendancy to Haze)	Transparent Translucent or Opaque	
Drop Dart Impact (ft lb.) 5 Lb. Dart. 1" Dia. Tip (6" x 6" x1/8" Specimen)	73°F	Greater than 200 with no breaks	1.6	13	-
	-0°F		<1.6	8	11
	-20°F		<1.6	<2.5	8

1/4" thick specimens

FALL PROTECTION SCREEN

Description

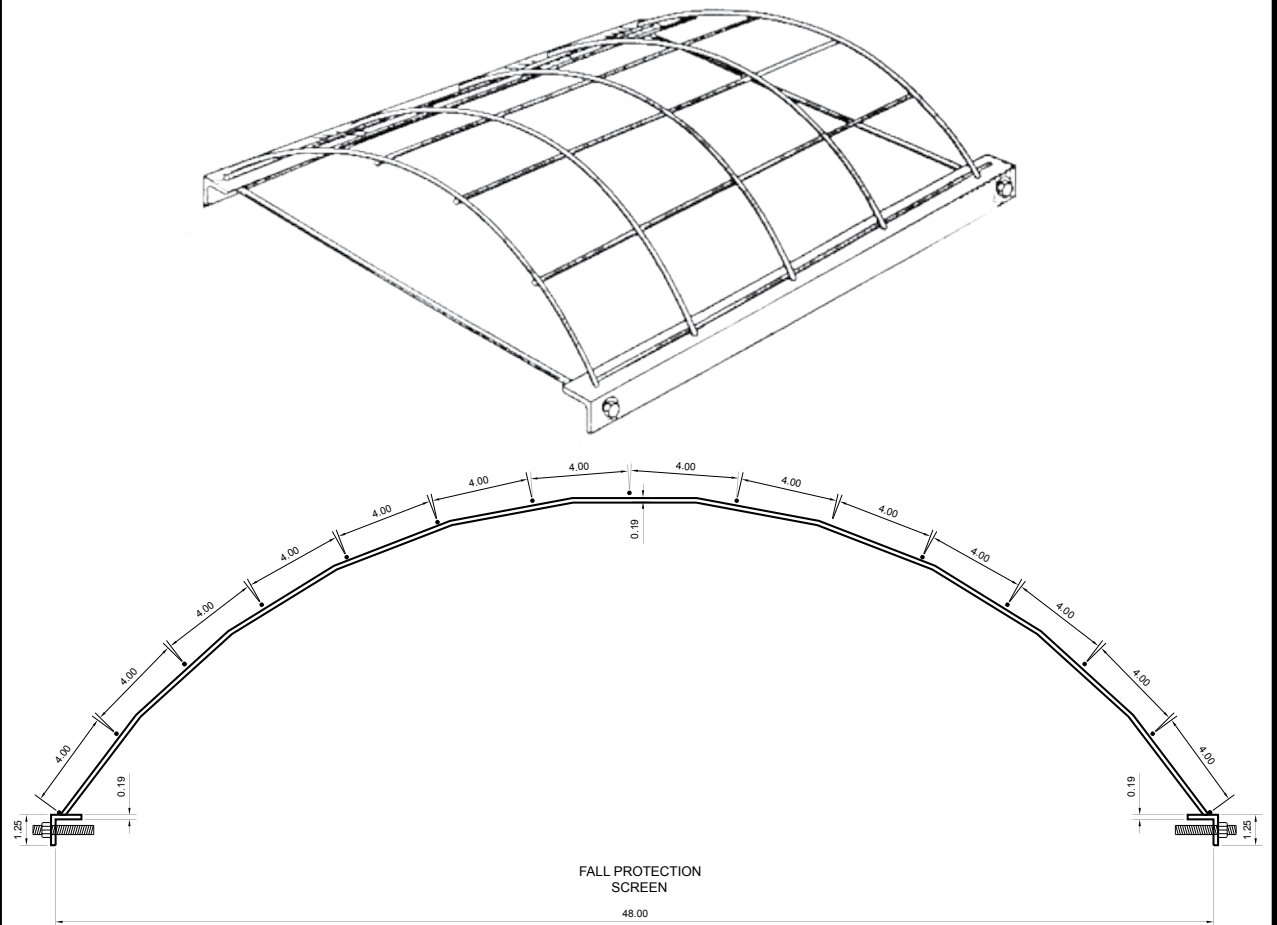
Skylight fall protection shall be manufactured from not less than .1875 (3/16") diameter steel galvanized wire. The openings in the wire shall not exceed 4" x 4". The screen shall be attached to a steel frame made of .1875 (3/16") steel angle using the MIG welding process. The screen shall be welded at each vertical intersection between the frame and the mesh. The frame assembly shall be attached to the skylight using a compression fit held in place by two (2) 3/8" diameter threaded steel rods.

The Fall Protection Screen shall be constructed and installation such that it can withstand a 200 pound load applied perpendicularly at any area screen. Fall Protection Screen designed such that when loaded the skylight under the screen will not break.

Materials

Prefabricated galvanized steel wire screen, 3/16x3/16 steel angle and 3/8 diameter threaded steel rod.

Fall protection Screen designed to comply with OSHA-29CFR parts 1910 and 1926 (specifically 1926.501 and .502) Roof Opening Fall Protection.



SUN-TEK MANUFACTURING, INC.
10303 GENERAL DRIVE ORLANDO, FLORIDA 32824
PHONE: 800.334.5854 FAX: 800.331.6607
EMAIL: CUSTOMERSERVICE@SUN-TEK.COM
WEB: SUN-TEK.COM

SUN-TEK COMMERCIAL QUOTE

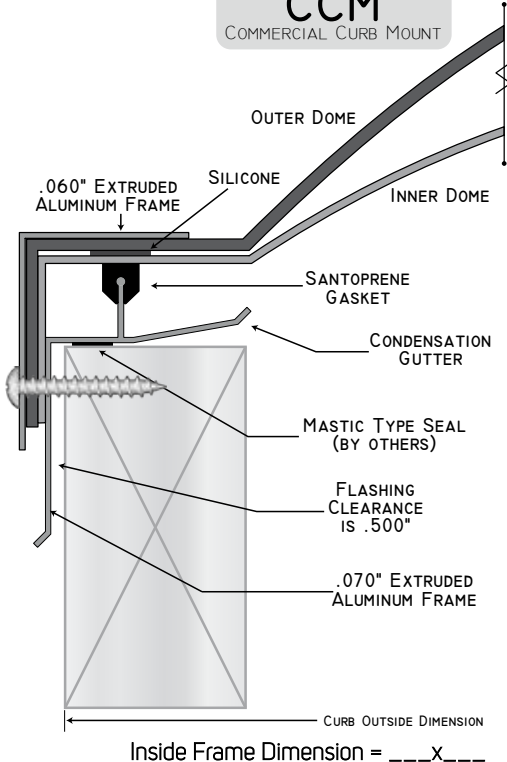
Customer # / Name: _____
 Customer Location: _____
 Street Address: _____
 City: _____
 State: _____
 Zip: _____
 Sun-Tek Rep: _____

Quote Date: _____
 Contact Name: _____
 Phone # _____
 Fax # _____
 eMail: _____
 PO# _____
 Job Name: _____

Save Quote
 Clear ALL
 Clear DATA

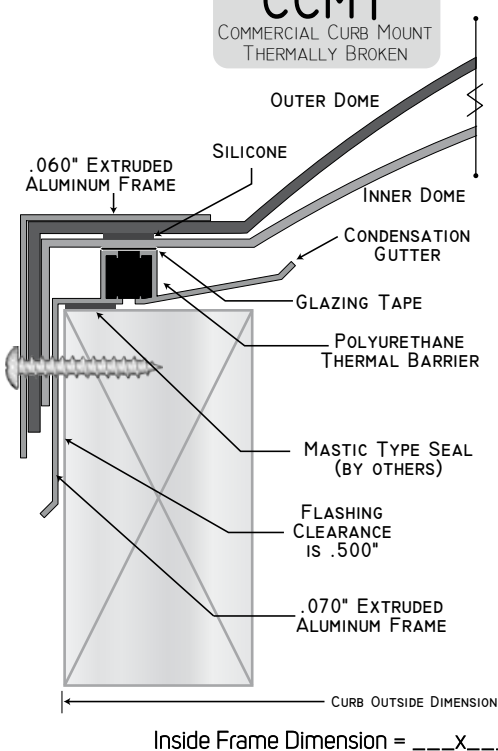
Ship-To

CCM
COMMERCIAL CURB MOUNT



Select **CCM**

CCMT
COMMERCIAL CURB MOUNT
THERMALLY BROKEN



Select **CCMT**

OPTIONS:

Polycarbonate Dome Colors

	Clr	Brz	Wht
Outer Dome	<input type="checkbox"/>	<input type="checkbox"/>	<input type="checkbox"/>
Inner Dome	<input type="checkbox"/>	<input type="checkbox"/>	<input type="checkbox"/>

Curb Outside Dimensions

Width _____ in.
 Length _____ in.

Frame Finish

Mill	<input type="checkbox"/>
Bronze	<input type="checkbox"/>
White	<input type="checkbox"/>

Dome Style

Standard	<input type="checkbox"/>
Pyramid	<input type="checkbox"/>

Fall Protection (Optional)

Yes	No
<input type="checkbox"/>	<input type="checkbox"/>

ORDER SUMMARY

Skylights		Fall Protection
Qty	_____	_____
Price \$	_____	_____
Ext Price \$	0.00	0.00
Freight	_____	_____
Lead Time	Lead Time in Weeks	

TO PLACE AN ORDER:

1. Fill in purchase order# above.
2. Sign & date in the space below.
3. Fax form to Sun-Tek Customer Service 800-331-6607 or CustomerService@Sun-Tek.com

Signature: _____ Date: _____

Upon receipt of this signed confirmation order, production of items above will be scheduled. Confirmed orders are non-cancellable, nonrefundable and nonreturnable. The quoted price is valid for 90 days from the date of issue, listed above.



Print Form

SUN-TEK COMMERCIAL QUOTE

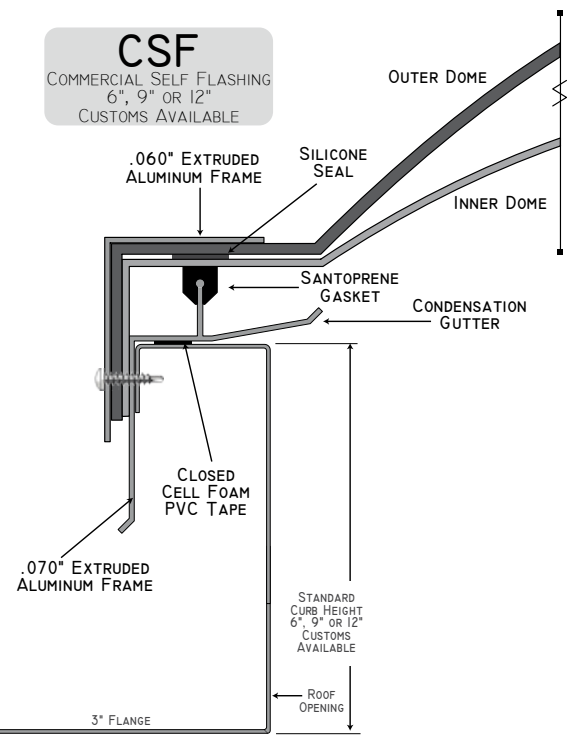
Customer # / Name: _____
 Customer Location: _____
 Street Address: _____
 City: _____
 State: _____
 Zip: _____
 Sun-Tek Rep: _____

Quote Date: _____
 Contact Name: _____
 Phone # _____
 Fax # _____
 eMail: _____
 PO# _____
 Job Name: _____

Save Quote
Clear ALL
Clear DATA

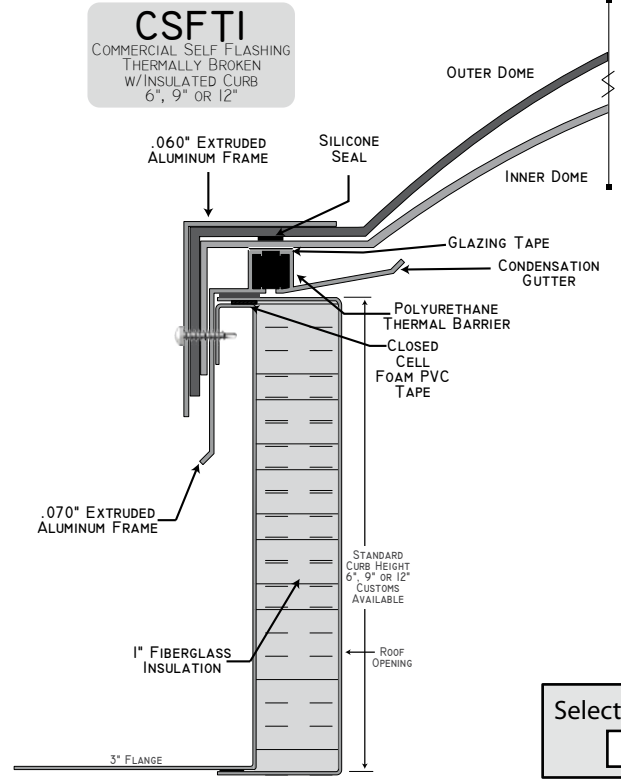
Ship-To

CSF
 COMMERCIAL SELF FLASHING
 6", 9" OR 12"
 CUSTOMS AVAILABLE



Select CSF

CSFTI
 COMMERCIAL SELF FLASHING
 THERMALLY BROKEN
 W/INSULATED CURB
 6", 9" OR 12"



Select CSFTI

OPTIONS:

Polycarbonate Dome Colors

	Clr	Brz	Wht
Outer Dome	<input type="checkbox"/>	<input type="checkbox"/>	<input type="checkbox"/>
Inner Dome	<input type="checkbox"/>	<input type="checkbox"/>	<input type="checkbox"/>

Curb Height Required

6"	<input type="checkbox"/>
9"	<input type="checkbox"/>
12"	<input type="checkbox"/>
"	<input type="checkbox"/>

Roof Opening

Width _____ in.
 Length _____ in.

Frame Finish

Mill	<input type="checkbox"/>
Bronze	<input type="checkbox"/>
White	<input type="checkbox"/>

Dome Style

Standard	<input type="checkbox"/>
Pyramid	<input type="checkbox"/>

Fall Protection
(Optional - Strongly Suggested)

Yes	<input type="checkbox"/>
No	<input type="checkbox"/>

ORDER SUMMARY

Skylights		Fall Protection
Qty		
Price \$		
Ext Price \$	0.00	0.00
Freight		
Lead Time		
	Lead Time in Weeks	

TO PLACE AN ORDER:

1. Fill in purchase order# above.
2. Sign & date in the space below.
3. Fax form to Sun-Tek Customer Service 800-331-6607 or CustomerService@Sun-Tek.com

Signature: _____ Date: _____

Upon receipt of this signed confirmation order, production of items above will be scheduled. Confirmed orders are non-cancellable, nonrefundable and nonreturnable. The quoted price is valid for 90 days from the date of issue, listed above.



Ordering Information

Glass Series Skylights

Model Options (select one)
 FGC - Fixed Glass Classic
 VGC - Vented Glass Classic
 CMG - Curb Mounted Glass
 CMG^{II} - new Curb Mounted Glass
 FHP - Fixed High Profile
 TG - Tile Glass

Code Size Options (select one)
 See Attached Price List

Example: **Model** **Code Size** **Glass** **Frame**
 FGC 2549 E/C B

Glass Options
 (select one)
 E-C - LoE³-340 / Clear Tempered
 E-L - LoE³-340 / Laminated
 E-I - LoE³-340 / Impact

Color Options
 (select one)
 B - Bronze
 C - Copper
 W - White
 N - Natural Mill

GLASS



American Owned and Made



Ordering Information

Polydome Series Polycarbonate Skylights

Model Options (select one)
 SF - Self Flashing
 SFA - Self Flashing Aluminum
 SFAW - Self Flashing Aluminum w/Wood
 SFAF - Self Flashing Aluminum Flat Flange
 TP - Tile Polycarbonate
 CM - Curb Mounted (curb required)
 CMA - Curb Mounted w/Aluminum (curb required)

Code Size Options (select one)
 See Attached Price List

Double Dome Example:

Model	Code Size	Domes	Frame
SFA	2246	B/C	B

Outer Dome Options (select one)
 B - Bronze
 C - Clear

Inner Dome Options (select one)
 C - Clear
 F - Frosted

Color Options (select one)
 B - Bronze
 C - Copper
 W - White
 N - Natural Mill

Triple Dome Example:

Model	Code Size	Domes	Frame
SFA	2246	B/C/C	B

Triple Inner Dome (select one)
 C - Clear



American Owned and Made



Ordering Information

Extreme Weather Glass Skylights

Model Options (select one)
 ISFG - Impact Self Flashing Glass
 ICMG - Impact Curb Mount Glass

Code Size Options (select one)
 See Attached Price List

Example: **Model** **Code Size** **Glass** **Frame**
 ISFG 2549 B/C B

Glass Options
 (select one)
 E-C - LoE³-340 / Clear Tempered
 E-L - LoE³-340 / Lamnated
 E-I - LoE³-340 / Impact

Color Options
 (select one)
 B - Bronze
 C - Copper
 W - White
 N - Natural Mill

Extreme Weather Polycarbonate Skylights

Model Options (select one)
 MDCMA - Metro Dade-Curb Mount Aluminum
 CMA-D - Curb Mount Aluminum
 HSF - Hurricane Self Flashed

Code Size Options (select one)
 See Attached Price List

Double Dome Example: **Model** **Code Size** **Domes** **Frame**
 MDCMA 2246 B/C B

Outer Dome
 B - Bronze (only)

Inner Dome
 C - Clear (only)

Color Options
 (select one)
 B - Bronze
 C - Copper
 W - White
 N - Natural Mill

GLASS

POLYCARB



American Owned and Made



Ordering Information

Tubular Skylights

TUBULAR

Model Options (select one)
 STT - Sun-Tek Tube Self Flashing
 STTCM - Sun-Tek Tube Curb Mount
 STTSA - Sun-Tek Tube Shallow Attic

Size Options (select one)
 See Attached Price List

Example:

Model **Size** **Frame**
 STTCM 14 B

Frame Color Options
 (For STTCM only - select one)
 B - Bronze
 W - White
 C - Copper
 N - Natural Mill

Spyder Multi-Tube System

SPYDER

Model & Size Options (select one)

D10 1422	- Double 10"	Roof Opening 14½" x 22½"
D14 1430	- Double 14"	Roof Opening 14½" x 30½"
D10/14 2222	- Double 10"/14"	Roof Opening 22½" x 22½"
Q10 1446	- Quad 10" Inline	Roof Opening 14½" x 46½"
Q10 2222	- Quad 10"	Roof Opening 22½" x 22½"

Double Dome Example:

Model & Size **Frame**
 D14 1430 B

Frame Color Options (select one)
 B - Bronze
 W - White
 C - Copper
 N - Natural Mill

*** Also available with CMG & ICMG Glass Option**

American Owned and Made



Installation Instructions

For individualized installation instructions for your style, please refer to our website at: www.Sun-Tek.com or speak to our helpful customer service department representatives at 800-334-5854.

Testing Data

<u>Glass</u>	<u>Sun-Tek</u>	<u>Extreme</u>	<u>Polydome</u>
FGC	<u>Tube</u>	<u>Weather</u>	SF
LFGC	STT	MDCMA	SFA
FHP	STTCM	CMA-D	CM
VGC		HSF	CMA
TG		ISFG	TP
CMG		ICMG	
LCMG			
CMG ^{II}			

FULL TEST REPORTS AVAILABLE UPON REQUEST.
Testing performed by National Certified Testing Lab, York, PA.
Sun-Tek Certification available on the Nami website: www.namicertification.com

NOTE: The information contained in this data sheet is not to be copied or distributed to anyone without prior consent of Sun-Tek Manufacturing, Inc.



American Owned and Made





American Owned and Made



FGC Fixed Glass Classic

Florida Product Approval - 12626

Classification	SKG-HC86 (55x55)		
Test Specification(s)	AAMA/WDMA 1600/I.S.7-2000 "Voluntary Specification for Skylights"		
Air Infiltration	0.03 cfm/ft ²	(ASTME 283)	
Water Infiltration	no leak	(ASTME 331)	
Structural Test Pressure +	172 psf	u-Factor (E/C) *	.35
Structural Test Pressure -	129 psf	SHGC (E/C) *	.18
Design Pressure +	115 psf	u-Factor (E/L) *	.33
Design Pressure -	86 psf	SHGC (E/L) *	.17
Notes			

LFGC Large Fixed Glass Classic

Florida Product Approval - 12627

Classification	SKG-R60 (61x82)		
Test Specification(s)	AAMA 1600-00 "Voluntary Specification for Skylights"		
Air Infiltration	0.02 cfm/ft ²	(ASTM E283)	
Water Infiltration	no leak	(ASTM E331)	
Structural Test Pressure +	90 psf	u-Factor (E/C) *	.35
Structural Test Pressure -	90 psf	SHGC (E/C) *	.18
Design Pressure +	60 psf	u-Factor (E/L) *	.33
Design Pressure -	60 psf	SHGC (E/L) *	.17
Notes	Requires 3/16" glass; Orders placed as FGC		

FHP Fixed High Profile

Florida Product Approval - 12627

Classification	SKG-R55 (55x55)		
Test Specification(s)	AAMA/WDMA 1600/I.S.7-2000 "Voluntary Specification for Skylights"		
Air Infiltration	0.00 cfm/ft ²	(ASTM E283)	
Water Infiltration	no leak	(ASTM E331)	
Structural Test Pressure +	82.5 psf		
Structural Test Pressure -	82.5 psf		
Design Pressure +	55 psf		
Design Pressure -	55 psf		
Notes			

VGC Ventilated Glass Classic

Florida Product Approval - 12627

Classification	SKG-R55 (55x55)		
Test Specification(s)	AAMA/WDMA 1600/I.S.7-2000 "Voluntary Specification for Skylights"		
Air Infiltration	0.00 cfm/ft ²	(ASTM E283)	
Water Infiltration	no leak	(ASTM E331)	
Structural Test Pressure +	82.5 psf		
Structural Test Pressure -	82.5 psf		
Design Pressure +	55 psf		
Design Pressure -	55 psf		
Notes	Passed forced entry ASTM 1302.5-76		

TG Tile Glass

Florida Product Approval - 12626

Classification	SKG-R60 (55x55)		
Test Specification(s)	AAMA/WDMA 1600/I.S.7-2000 "Voluntary Specification for Skylights" AAMA/WDMA 101/I.S. 2/NAFS-02 "North American Fenestration Standard"		
Air Infiltration	0.01 cfm/ft ²	(ASTM E283)	
Water Infiltration	no leak	(ASTM E331)	
Structural Test Pressure +	90 psf		
Structural Test Pressure -	90 psf		
Design Pressure +	60 psf		
Design Pressure -	60 psf		
Notes			

* For other glazing options and thermal performances contact Sun-Tek

"GLASS" SERIES PERFORMANCE*American Owned and Made*

CMG Curb Mounted Glass

Florida Product Approval - 12627

Classification	SKG R85	
Test Specification(s)	AAMA/WDMA 1600/I.S.7-2000 "Voluntary Specification for Skylights"	
Air Infiltration	< 0.1 cfm/ft ²	(ASTM E283)
Water Infiltration	no leak	(ASTM E331)
Structural Test Pressure +	172 psf	
Structural Test Pressure -	129 psf	
Design Pressure +	85 psf	
Design Pressure -	85 psf	

LCMG Large Curb Mounted Glass

Florida Product Approval - 12627

Classification	SKG-HC56 (55x76)	
Test Specification(s)	AAMA 1600-00 "Voluntary Specification for Skylights"	
Air Infiltration	0.02 cfm/ft ²	(ASTM E283)
Water Infiltration	no leak	(ASTM E331)
Structural Test Pressure +	85 psf	
Structural Test Pressure -	85 psf	
Design Pressure +	56 psf	
Design Pressure -	56 psf	
Notes	Requires 3/16" glass; Orders placed as CMG	

CMG^{II} Curb Mounted Glass II

Florida Product Approval - 12626

Classification	SKG-C90 (51x51)	
Test Specification(s)	AAMA/WDMA 1600/I.S.7-2000 "Voluntary Specification for Skylights" AAMA/WDMA 101/I.S. 2/NAFS-02 "North American Fenestration Standard"	
Air Infiltration	0.30 cfm/ft ²	(ASTM E283)
Water Infiltration	no leak	(ASTM E331)
Structural Test Pressure +	180 psf	u-Factor (E/C) .48
Structural Test Pressure -	180 psf	SHGC (E/C) .17
Design Pressure +	90 psf	u-Factor (E/L) .49
Design Pressure -	90 psf	SHGC (E/L) .17
		LowE / CLR
		LowE / Lami

LCMG^{II} Large Curb Mounted Glass IIFlorida Product Approval - 14637
TDI -SK - 38

Classification	SKG / RW - C60 1664x2578 (66x102)	
Test Specification(s)	AAMA /WDMA / CSA 101/I.S.2/A440-05	
Air Infiltration	0.049 cfm/ft ²	(ASTM E283)
Water Infiltration	no leak	(ASTM E547)
Structural Test Pressure +	120 psf	(ASTM E330) u-Factor (E/C) .48
Structural Test Pressure -	120 psf	SHGC (E/C) .17
Design Pressure +	60 psf	u-Factor (E/L) .48
Design Pressure -	60 psf	SHGC (E/L) .17
		LowE / CLR
		LowE / Lami
Notes	Requires 3/16" glass; Orders placed as CMG	

STTCM Sun-Tek Tube Curb Mounted

NOA 15-0513.06

Classification	TAS 201, TAS 202, TAS 203	
Test Specification(s)	TAS 201, TAS 202, TAS 203	
Air Infiltration	0.04 cfm/ft ²	TAS 202-94, Tested at 6.24 psf (49mph)
Water Infiltration	no leak	TAS 202-94
Structural Test Pressure +	130 psf	
Structural Test Pressure -	130 psf	
Design Pressure +	65 psf	
Design Pressure -	65 psf	
Notes	Large Missile Impact Rated	

STT Sun-Tek Tube

Florida Product Approval - 13488

Classification	Class CW- PG 80 1286x1286 (28x28) - TDD	
Test Specification(s)	AAMA/WDMA / CSA 101 / I.S.2 / A440 - 08 Standard / Specification for windows, doors and unit skylights	
Air Infiltration	0.04 cfm/ft ²	(ASTM E283), Tested at 6.24 psf (49mph)
Water Infiltration	no leak	(ASTM E331)
Structural Test Pressure +	160 psf	
Structural Test Pressure -	160 psf	
Design Pressure +	80 psf	
Design Pressure -	80 psf	

*American Owned and Made***"GLASS" SERIES PERFORMANCE**
"TUBE" PERFORMANCE

SF Self Flashing

Florida Product Approval - 13488

Classification	SKP/RW - C50	
Test Specification(s)	AAMA/WDMA / CSA 101 / I.S.2 / A440 - 05, 08 AAMA 1600 I.S.7-00 Standard / Specification for windows, doors and unit skylights AAMA/WDMA 101/I.S.2/NAFS-02	
Air Infiltration	0.08 cfm/ft ²	ASTM E283 Tested at 6.24 psf (49mph)
Water Infiltration	no leak	ASTM E547
Structural Test Pressure +	100 psf	
Structural Test Pressure -	100 psf	
Design Pressure +	50 psf	
Design Pressure -	50 psf	
Notes		

SFA Self Flashing AluminumFlorida Product Approval - 8617
TDI SK-37

Classification	SKP/RW -R70	
Test Specification(s)	AAMA/WDMA / CSA 101 / I.S.2 / A440 - 05 Standard / Specification for windows, doors and unit skylights	
Air Infiltration	0.08 cfm/ft ²	(ASTM E283), Tested at 6.24 psf (49mph)
Water Infiltration	no leak	(ASTM E547)
Structural Test Pressure +	140 psf	
Structural Test Pressure -	140 psf	
Design Pressure +	70 psf	
Design Pressure -	70 psf	
Notes		

CM Curb Mounted

Florida Product Approval - 13488

Classification	SKP/RW - C50 1321 x 1321 (52X52)	
Test Specification(s)	AAMA/WDMA / CSA 101 / I.S.2 / A440 - 05, 08 AAMA 1600 I.S.7-00 Standard / Specification for windows, doors and unit skylights AAMA/WDMA 101/I.S.2/NAFS-02	
Air Infiltration	0.08 cfm/ft ²	(ASTM E283), Tested at 6.24 psf (49mph)
Water Infiltration	no leak	(ASTM E547)
Structural Test Pressure +	100 psf	(ASTM E330)
Structural Test Pressure -	100 psf	
Design Pressure +	50 psf	
Design Pressure -	50 psf	
Notes		

CMA Curb Mounted Aluminum

Florida Product Approval - 13488

Classification	SKP/RW - C50 1286x1286 (51x51)	
Test Specification(s)	AAAMA/WDMA / CSA 101 / I.S.2 / A440 - 05, 08 AAMA 1600 I.S.7-00 Standard / Specification for windows, doors and unit skylights AAMA/WDMA 101/I.S.2/NAFS-02	
Air Infiltration	0.08 cfm/ft ²	(ASTM E283) Tested at 6.24 psf (49 mph)
Water Infiltration	no leak	(ASTM E547)
Structural Test Pressure +	100 psf	
Structural Test Pressure -	100 psf	
Design Pressure +	50 psf	
Design Pressure -	50 psf	
Notes		

TP Tile Plastic

Florida Product Approval - 14637

Classification	SKP / RW - C60 1384x1384 (55x55)	
Test Specification(s)	AAMA/WDMA / CSA 101 / I.S.2 / A440 - 05	
Air Infiltration	0.10 cfm/ft ²	(ASTM E283)
Water Infiltration	no leak	(ASTM E331)
Structural Test Pressure +	120 psf	
Structural Test Pressure -	120 psf	
Design Pressure +	60 psf	
Design Pressure -	60 psf	
Notes		

"POLYDOME" SERIES PERFORMANCE*American Owned and Made*

MD-CMA Miami-Dade Curb Mount Aluminum

NOA 15-0513.05

Classification	SKP-R60	
Test Specification(s)	TAS 201, TAS 202, TAS 203	
Air Infiltration	0.1 cfm/ft ²	TAS 202-94
Water Infiltration	no leak	TAS 202-94
Structural Test Pressure +	180 psf	
Structural Test Pressure -	120 psf	
Design Pressure +	60 psf	
Design Pressure -	60 psf	
Notes	Large Missile Impact Rated	

CMA-D Curb Mount Aluminum - Dade

NOA 15-0513.08 TDI: SK-40

Classification	SKP-R60	
Test Specification(s)	TAS 201, TAS 202, TAS 203 ASTM 1886, ASTM 1996	
Air Infiltration	0.015 cfm/ft ²	TAS 202-94
Water Infiltration	no leak	TAS 202-94
Structural Test Pressure +	180 psf	
Structural Test Pressure -	120 psf	
Design Pressure +	60 psf	
Design Pressure -	60 psf	
Notes	Large Missile Impact Rated	

HSF Hurricane Self Flashing

NOA 15-0513.07 TDI: SK-41

Classification	SKP-R60 (54½x54½)	
Test Specification(s)	TAS 201, TAS 202, TAS 203 ASTM 1886, ASTM 1996	
Air Infiltration	0.015 cfm/ft ²	TAS 202-94
Water Infiltration	no leak	TAS 202-94
Structural Test Pressure +	180 psf	
Structural Test Pressure -	120 psf	
Design Pressure +	60 psf	
Design Pressure -	60 psf	
Notes	Large Missile Impact Rated	

ISFG Impact Self Flashing Glass

NOA 15-0513.10

Classification	SKP-R80	
Test Specification(s)	TAS 201, TAS 202, TAS 203	
Air Infiltration	<0.1 cfm/ft ²	TAS 202-94
Water Infiltration	no leak	TAS 202-94
Structural Test Pressure +	160 psf	
Structural Test Pressure -	160 psf	
Design Pressure +	80 psf	
Design Pressure -	80 psf	
Notes	Large Missile Impact Rated	

ICMG Impact Curb Mounted Glass

NOA 15-0513.09

Classification	SKP-R80	
Test Specification(s)	TAS 201, TAS 202, TAS 203	
Air Infiltration	<0.1 cfm/ft ²	TAS 202-94
Water Infiltration	no leak	TAS 202-94
Structural Test Pressure +	160 psf	
Structural Test Pressure -	160 psf	
Design Pressure +	80 psf	
Design Pressure -	80 psf	
Notes	Large Missile Impact Rated	

“EXTEREME WEATHER” SERIES PERFORMANCE*American Owned and Made*

Sun-Tek Skylights

If you would like a digital disc highlighting our skylight features, please call 1-800-334-5854 or email: mhayes@Sun-Tek.com

**Marketing
Support**



American Owned and Made



SUN-TEK TERMS AND CONDITIONS

Acceptance by Seller: Until accepted in writing by Sun-Tek ("SELLER"), at SELLER'S home office in Orlando, Florida, BUYER'S order shall constitute an offer to purchase. When so accepted by SELLER, this form shall constitute the entire contract between the parties (and SELLER shall not be bound by any terms, conditions, representations or warranties, express or implied, except as stated herein). It is understood by the parties, and BUYER hereby agrees, that no term or conditions contained in any order submitted by BUYER which is inconsistent with, additional to or different from the terms and conditions stated herein shall be binding on SELLER unless specifically agreed to by SELLER in a written acknowledgment or acceptance; unless SELLER specifically so agrees, any inconsistent, additional or different terms or conditions appearing in any order submitted by BUYER shall be deemed waived by BUYER. Receipt by BUYER of SELLER'S acceptance or of goods without prompt objection to the terms and conditions herein set forth shall constitute acceptance by BUYER of such terms and conditions. It is understood that SELLER'S acceptance of BUYER'S order is subject to subsequent credit investigation and approval.

Cancellation by BUYER: After acceptance by SELLER as herein above provided, this contract may not be cancelled or modified except by SELLER'S written agreement. If any cancellation or modification is agreed upon to by SELLER, BUYER will promptly pay all reasonable expenses incurred by SELLER prior to its agreement to such cancellation or to be incurred by SELLER in connection with such modification.

Pricing: Goods will be billed in accordance with the prices and terms contained in SELLER'S current bulletins and price sheets in effect on the date of receipt of order. Prices of goods for which no price is currently in effect will be determined by SELLER and set forth in its invoice issued after shipment of the goods.

Credit Terms: The limits and terms of credit shall be subject to change or limitation by SELLER at any time either before or after delivery of any part of goods under this contract, and SELLER may demand payment in cash before delivery. Delivery may be withheld or shipment stopped in transit on an accepted order without any liability on the part of SELLER if, in SELLER'S opinion, BUYER'S ability to pay for the goods on the terms and conditions stated herein is in doubt.

Delivery: SELLER will endeavor to ship promptly and to make delivery on the date requested, but it is understood that SELLER cannot guarantee any time for delivery, that delivery to the initial carrier shall constitute delivery to BUYER; that SELLER'S responsibility ceases upon delivery in good order to such carrier; and that all goods are shipped at BUYER'S risk. In any event, SELLER will not be liable for any delay or failure in delivery or shipment of goods or for any default or failure in delivery or shipment of goods or for any default or failure to perform this contract or for any damages suffered by reason thereof, when such delay, failure or default is directly, or indirectly due to accident (in manufacture or otherwise) fire, flood, riot, war, embargo, labor dispute or stoppage, inadequate transportation, shortage of material or supplies, delay or default on the part of SELLER'S vendor, regulation by any governmental authority or any like or dissimilar cause beyond SELLER'S control. In the event of the occurrence of any such cause or contingency, SELLER may extend the delivery schedule of this contract for the duration of such cause or contingency or, at its option, cancel this contract in whole or in part without liability.

Damaged Goods, Shortages or Variances: BUYER is urged to examine all deliveries carefully before signing transportation receipts. If goods are visibly damaged, BUYER shall insist that written confirmation be noted on the freight bill or dray ticket by the agent of the carrier. If damage is discovered after unpacking, carrier should be notified at once so that inspection can be made and the claimed damage substantiated by the carrier. No claims for variances from or shortages in any orders will be considered unless presented to SELLER in writing within 10 days after BUYER'S receipt of goods. Failure of BUYER to present any claim shall constitute a waiver thereof, and BUYER shall have no claim against SELLER.

Partial Delivery: Partial delivery shall be accepted by BUYER and paid for at the price and on the terms herein stated. Any partial delivery of merchandise hereunder, whether or not provided for herein, shall constitute a separate sale, and payment therefore shall be separately made when due. If any part of the goods is not delivered by SELLER or is not in accordance with BUYER'S order, this contract shall not be affected thereby.

Assembly and Installation: SELLER assumes no responsibility for the assembly, installation, erection or construction of any goods, and shall in no event be liable for any loss or damage sustained thereby, nor for obtaining any permits to construct, erect or install goods. Since local building code requirements vary greatly throughout the country, users of SELLER'S goods should determine in advance whether there are any code restrictions on the use of specified goods. SELLER makes no representation or warranty regarding, and shall not be responsible for, any code compliance.

Default: If BUYER is in default in payment or otherwise with respect to this or any other contract, SELLER shall have the right, in addition to all other legal remedies and without prejudice to any of its rights hereunder, to defer further shipments until such default is removed or, at its option, to cancel any undelivered portion of this or any other contract at any time after such default occurs and to declare all outstanding bills of BUYER to be due and payable forthwith.

Taxes: Any tax, excise duty or other governmental charge, whether federal, state, municipal or foreign, now or hereafter levied upon the manufacture, sale, use or shipment of goods contracted for or sold hereunder will be charged to and paid for by BUYER.

Warranty: SELLER warrants only to its distributors and their dealers, other direct buyers for resale, and other direct buyers for residential use, that it will, at its option and in its sole discretion, furnish, F.O.B. Orlando, Florida, a replacement for, repairs, or refund the purchase price to such distributor, dealer or direct buyer of any goods of its manufacture or part or portion thereof proved to its satisfaction to be defective in workmanship or material under normal use and service within 10 years (3650 days) on its Sun-Tek brand skylights from the date of delivery to such distributor, dealer or such direct buyer, provided that notice of such defect is given to SELLER within such 10-year (3650 days) or 1-year period (365 days). This warranty excludes any modifications to the product, any accessories added to the skylight by other than the SELLER, damage or malfunction caused by improper installation. There is no implied warranty of merchantability or implied warranty of fitness for a particular purpose or any other warranty, express, or **Implied, and SELLER will not be responsible for any damages whatsoever, or for any labor, transportation or other cost or expenses relating to such replacement or such repair, including any indirect, or consequential damages.**

Governing Law: This contract shall be construed in accordance with the laws of the State of Florida.

Return Merchandise: Sun-Tek will consider the return of merchandise upon the following conditions:

1. Prior to the return, the distributor must inform Sun-Tek of the material to be returned, the reason for such action, together with the Sun-Tek invoice and the customer order numbers (if available).
2. If the authorization to return material is given and an "RGA" number is issued, the terms are as follows:
 - A. RGA's will be valid for sixty (60) days from date of issuance.
 - B. Material shall be returned by "prepaid" freight.
 - C. Material shall be properly packaged to assure damage free shipment.
 - D. Material shall be subject to inspection and if reconditioning is not required, credit will be issued at the net price of the original order, less 25% handling charge for those items that are returned and reflect no fault or error of Sun-Tek. Material that has been approved for returns and reflects a fault or error of Sun-Tek will be issued credit at the net price of the original order.
 - E. Any goods failing to pass inspection will be credited at a net price of original order, less 25% handling charge and less a reconditioning charge if the item can be reconditioned. If the item cannot be reconditioned, no credit will be issued and a 25% charge back will apply (applicable only to approved returns which reflect no fault or error of Sun-Tek.)
 - F. Only standard material can be returned on this basis.

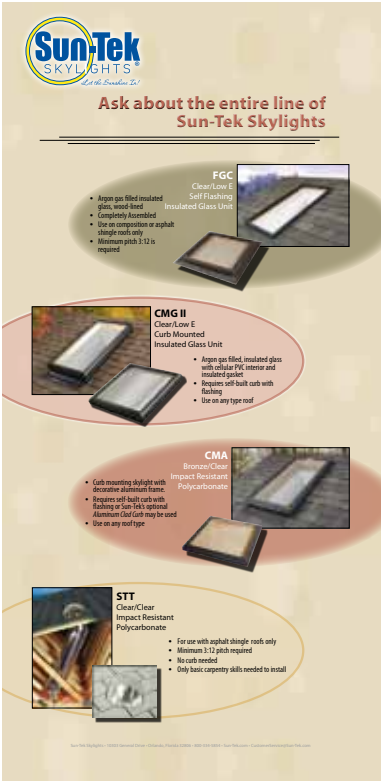


American Owned and Made



Display Program

Displays subject to change and availability at time of request.



Poster
No Charge - delivered by Sun-Tek Sales Representative



Counter Display
No Charge with any Sun-Tek skylight Order For FGC & CMG II models

Free Stand Tube
No charge with \$2000 order of tubes and/or skylights



Free Stand Skylight

For FGC & CMG II 2549 skylights with Low E glass. Stand and poster free with an order of five units (use one of the five Stock units on the display).

Three Tier
Three free skylights of choice with a \$2000 order.

Tube panel available separately as a wall poster.



Swing Door

No charge with an order of \$1500 or greater. Available with FGC or CMG II.



SUN-TEK SKYLIGHT & TUBE DISPLAY PROGRAM OPTIONS

1) Three Tier Display

- Holds any three models of skylights in a 2'x 2' size.
- These three skylights are actual units which can be sold and installed. All traditional units can be used in this display.
- Sun-Tek Tube poster will be displayed on the top of this three tier display
- Optional Logo Header without Tube Poster.
- **No charge with a minimum order totalling \$2,000**

2) Free Stand Tube Skylight Display

- Unit incorporated in display.
- **No charge with a minimum order of tubes and/or skylights totalling \$2,000**

3) Free Stand Skylight Display

- With FGC Background Poster
- With CMG II Background Poster
- **No charge with an order of 5 units of FGC or CMG II. (One unit used for display)**

4) Counter Displays

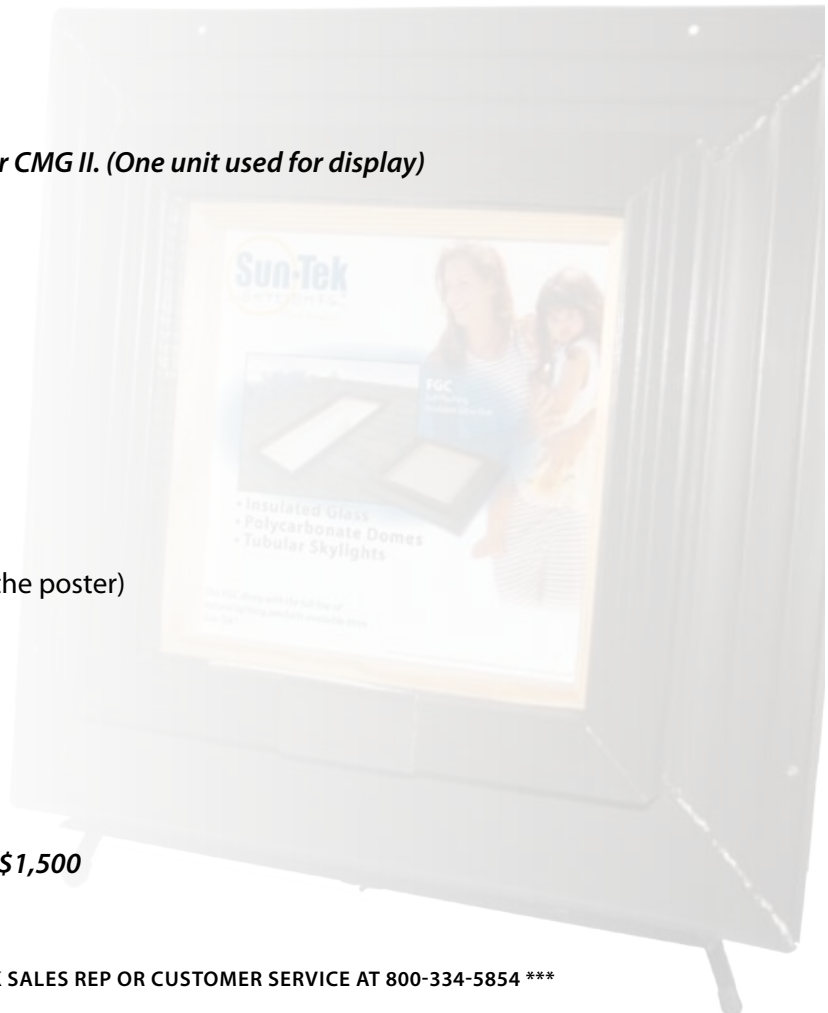
- With FGC Background Graphic
- With CMG II Background Graphic
- **No charge with an order of FGC or CMG II**

5) Wall Mounted Posters

- Sun-Tek Line Poster
- FGC Poster
- CMG II Poster
- Sun-Tek Tube Panel (includes half tube on the poster)
- **No charge with any order**

6) Swing Door Display

- Unit & Poster included in display
- Choose FGC or CMG II
- Use for warehousing rack applications
- **No charge with a minimum order totalling \$1,500**



*** FOR FURTHER INQUIRIES, CONTACT YOUR SUN-TEK SALES REP OR CUSTOMER SERVICE AT 800-334-5854 ***



SUN-TEK PROMOTIONAL ALLOWANCE POLICY

Policy Guidelines

1. This promotional allowance program provides support funds based on 50% cooperative contribution by a Sun-Tek Distributor and is available to all authorized Sun-Tek Distributors, except mobile home/modular housing.

Any printed material, trade shows, sales promotional flyers, brochures, or other advertising media utilizing the registered trademarks or copyrights of Sun-Tek Manufacturing, Inc. must be approved in writing by an officer or senior official of Sun-Tek prior to display or distribution thereof. Without this approval, Sun-Tek is released of all liabilities associated with this activity and may also deny use of applicable advertising cooperative funds.

- ◇ A Distributor's branch office specifically noted must purchase Sun-Tek products direct to their account. Allowance will be set up against shipments invoiced in accordance with Sun-Tek records each calendar year commencing January 1, 1995.
- ◇ If a Distributor's corporate office conducts Sun-Tek purchasing for branch offices, the request for promotional allowance must come from the corporate office.

2. Each Sun-Tek Distributor's cooperative promotional allowance will be 2% of net purchases accrued monthly, not to exceed the current calendar year.

3. Promotional allowance credits will be issued upon receipt of paid invoices, or other evidence of approved expenses involved, **not to exceed dollar amount in distributor's allowance fund**. Invoices **must be paid** prior to any promotion allowance reimbursement.

4. Allowance Term

- ◇ Evidence of expenses must be received by January 31 st of the following year.
- ◇ No unused funds from the current year may be carried over into the new year.

Qualified Cooperative Items

1. All charge literature, full size displays, samples, corner cuts, price sheets, merchandising aids, set up and imprinting charges for personalized literature and price sheets qualify. Development. cost associated with artwork, photography and type setting for customized literature will not apply.
2. Advertising premiums or other specialty promotional items made available for purchase and approved by Sun-Tek Manufacturing.

Special Promotions

1. Regional, State and Local Shows - 50% of the cost of booth space, 100% **assigned to Sun-Tek**.
2. Other special promotions receiving prior written approval from Sun-Tek will be reimbursed at a rate of 50% of the cost **devoted to Sun-Tek**.



American Owned and Made



Newspaper Ads

Newspaper and magazine advertising will be reimbursed at 50% of the cost of space **devoted to Sun-Tek Skylights**. Copies of the ad and/or other sustaining documents must be submitted for approval by Sun-Tek Manufacturing prior to publication. Ads must feature an approved Sun-Tek logo.

Radio and TV Advertising

Sun-Tek will pay 50% of the cost for radio and TV time for ads devoted 100% to Sun-Tek. Ads featuring more than one product will be reimbursed proportionately.

Open House Programs

Sun-Tek will share in the cost of a distributor Open House Program up to 50% of the cost that is devoted to Sun-Tek. For example, if seven suppliers are involved in the Open House, Sun-Tek's share will be 50% of 1/7 of the Open House costs that are documented. Documentation of all cost must be included with request for reimbursement.

Requests for Promotion Allowance Credit Shall Include:

1. Copy of paid invoices indicating items and amounts which are to be applied against the co-op account.
2. Copy of booth space contracts showing space cost and sustaining documents to determine how much of the total space rented was used for the purpose of promoting Sun-Tek Skylights i.e., one fourth, one third, one half, etc. A picture of the display is preferred with the request.
3. Original invoice(s) of expenses for other special promotions involving the **exclusive** promotion of Sun-Tek Skylights.
4. Tear sheets and copies of agency billings must be submitted for cooperative advertising of Sun-Tek products.

Submit all requests and documents to:
Sun-Tek Skylights, Sales & Marketing
10303 General Drive
Orlando, Florida 32824



American Owned and Made

