

USE WITH:  
**Model CM, CMA, CMG**  
 on asphalt, shake, or  
 slate shingle roofs

## Step Flash Kit

### Installation Instructions

Dura size 2246/Classic 2549 fits curb OD 25½" width by  
 up to 49½" length.  
 Dura size 3046/Classic 3349 fits curb OD 33½" width by  
 up to 49½" length.  
 Dura size 4646/Classic 4949 fits curb OD 49½" width by  
 up to 49½" length.  
 (69" or 89" lengths may be special ordered)

**FAILURE TO FOLLOW RECOMMENDED INSTALLATION PROCEDURES MAY VOID WARRANTY**

**\*\*\* Please read Instruction sheet completely before beginning.\*\*\***

#### 1. Complete skylight Installation up to the point of flashing the curb.

Slip aluminum sill over downside of curb: base of sill goes on top of shingles. If sides of sill are higher than curb, scribe a line, remove sill, and trim top of sill (with tin snips) so it is flush with curb. Replace sill.

2. To shingle up the sides: set an aluminum flashing piece in place and nail a shingle over it. Continue to use an aluminum flashing piece under each shingle. (As with sill, if necessary, trim aluminum flashing pieces flush with curb.)

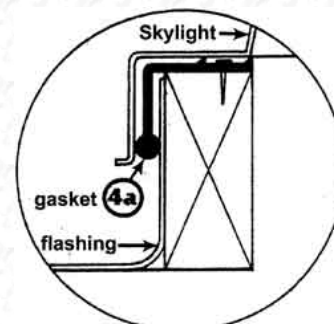
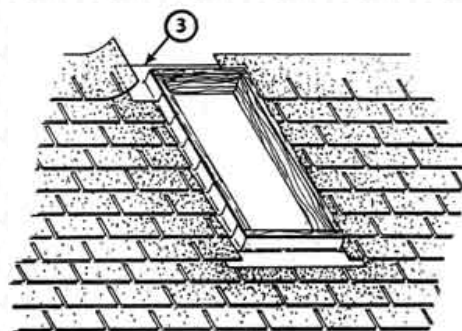
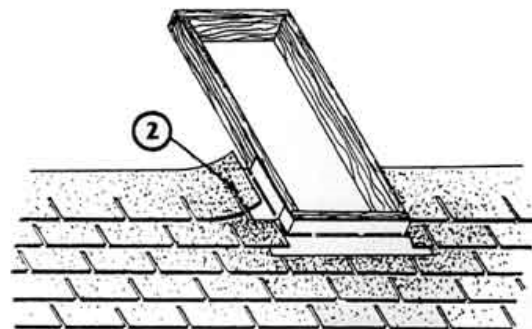
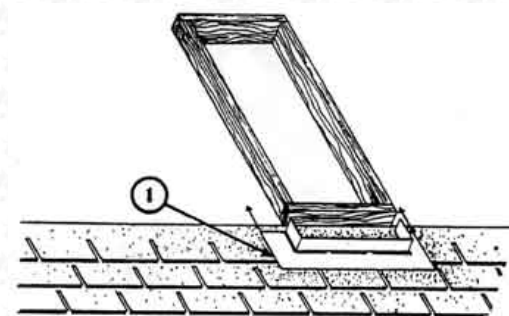
3. When both sides are shingled, slip aluminum header over curb, and shingle across top.

4. **a) Model CM - CMA - Use Sun-Tek's optional gasket:** install gasket on top of wood curb (miter corners with razor knife), using roofing nails approx. every 12" to hold gasket in place. Important: Bulb portion of gasket must go over flashing materials.

**OR**

**b) Model CM, CMA, CMG - Apply 1" wide strip of sealant/mastic\* around entire curb top, starting ½" out from the edge of roof opening. (If sealant is applied too close to roof opening, it may "ooze" into tunnel.)\*refer to skylight installation sheet for approved sealant/mastic for model CM, CMA.**

5. Install skylight on curb through factory-drilled holes. **Tip:** Nail skylight to curb on sides (its not necessary to predrill before nailing into the aluminum flashing).



---

*All installation information is supplied in good faith, but without recommendation as to its use. No guarantee of the results of any use of this information is to be implied, since the conditions of use are beyond our control.*