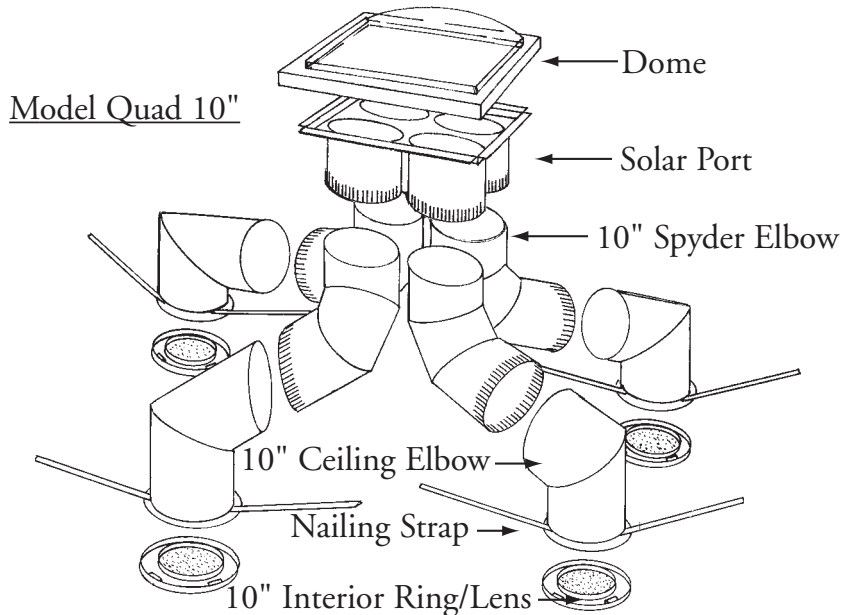
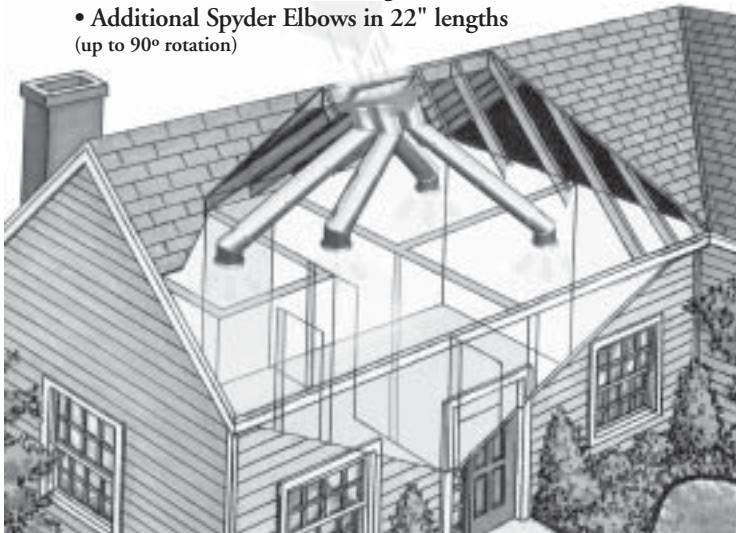


PARTS LIST

Base Spyder Unit Includes:



- Optional:
- Extensions in 20" or 48" lengths
 - Additional Spyder Elbows in 22" lengths (up to 90° rotation)



The Spyder may not fit in every application in every size. Because of this, it is important that the Spyder worksheet is used to check the application and assist with the amount of extensions that are needed.

NOTE: For best results, roof dome should be installed as a southerly facing roof. The more the dome stays in direct sunlight, the more light is received in the home. If a roof slope other than a southerly facing one is used, install the roof dome as high on the roof as possible.

***Check local building codes for roof attachment requirements**

HARDWARE INCLUDED



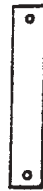
(2) 3" Drywall Screws



(30) 1 1/4" Roof Nails



(1) STS 1000 Tube Sealant



(1) "Easy Cut" Template



(12) 1 3/4" Nails w/neoprene washer



(24) 3/8" Tek-Point Screws



(1) Roll Foil Tape

TOOLS NEEDED

- Pencil
- Ladder
- Jig Saw
- Tape Measure
- Cordless Screwdriver
- Caulking Gun
- Plumb bob
- Razor knife or tin snips
- Pry bar
- Safety equipment (glasses, gloves, etc.)

IMPORTANT:

Use **SPYDER WORKSHEET** to locate opening and determine components required. Call Customer Service @ 800-334-5854 for a *Spyder* worksheet.



INSTALLATION OF THE ROOF DOME

Marking the opening

1. From inside the attic, mark the four corners of the roof opening by nailing or screwing up through the roof deck. (See chart)

Model	Roof Opening
10" Quad	22½" X 22½"
10" Dbl	22½" X 14½" or 14½" X 22½" reverse orientation
10" Quad (inline)	46½" X 14½" or 14½" X 46½" reverse orientation
14" Dbl	14½" X 30½"
10"/14" Dbl	22½" X 22½"

Cutting the roof opening

2. On the roof, draw a straight line between the nails/screws that mark the corners of the roof opening. (Snap a chalk line.) Using a saw, cut the roof opening.

Install the curb

3. Site built curb – (Check local codes for height and fastening requirements)
 - Using 2 x 4, 2 x 6 or 2 x 8 wood:
 - Trim the shingles back from the opening the width of the curb around the entire opening.
 - Use STS 1000 sealant to seal the curb down to the roof deck, on top of the felt paper
 - Attach the curb to the roof with 2½ - 3" deck screws at a 45° angle or from inside the attic.

Step flashing (for site built curb)

- Remove enough nails from shingles to allow step flashing to be inserted under shingles. Install the step flashing as per standard roofing practices.

Labor saver curb – See labor saver curb instructions.

Install the Solar Port

4. Run a bead of STS 1000 sealant around the top of the curb and place the solar port in the curb so that the flanges of the solar port lie flat against the curb. Note: Make sure the orientation of the solar port is correct for your application. Attach the solar port to the curb with nails or screws down into the top of the curb. **Remove the protective plastic from the Solar Port.**

Install the dome

5. **Remove the protective plastic sheet from the dome.** Place a bead of approved sealant (included) on the top of the solar port directly above the curb, and place the dome over the curb. Seat the dome into the sealant and attach the dome to the curb using the 1¾" nails provided. Keep the dome centered over the opening by only pounding the nail in until gentle contact is made with the dome.

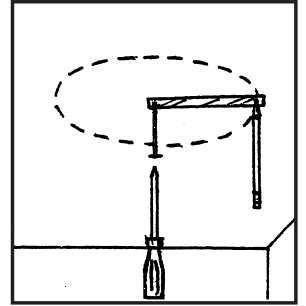


Cutting the ceiling holes

Use the information from the worksheet to make this step easier.

6. Locate the center of the ceiling hole and make sure it is free of any obstructions in the attic. One of the following methods may be helpful:
 - a) Have an assistant in the attic while you tap on the ceiling to indicate where the tube will be located. Minor adjustments may need to be made as a result of obstructions that need to be avoided, such as framing members, A/C ducts, etc. Using a pencil, mark the location. (See Drawing 3 on the Spyder Worksheet)
 - or —
 - b) Take measurements from landmarks such as AC registers, light fixtures, etc. and transfer those measurements to the attic. Using a 3" drywall screw, screw it through the drywall to mark the desired locations.
7. Put "Easy Cut" template over the screw and place a pencil in the other hole, and draw a circle on the ceiling. Leave the screw in the ceiling.
8. Cut the opening in the drywall using a key hole or jig saw. Use the screw to hold the cutout section.

7.



Install the ceiling elbow

9. Push the interior elbow up through the ceiling hole. From inside the attic, pull the elbow up so that flange is flush with the ceiling. Align ceiling elbow seam with the seam in the roof elbow. Pull a nailing strap snugly to the rafter and nail into place with 1 1/4" roofing nails. Repeat with the second nailing strap. If a nailing position cannot be reached with the nailing strap, an additional 2 x 4 may need to be added between the trusses. **Remove plastic protection sheet from inside the ceiling elbow.**

9.

Assemble the tube

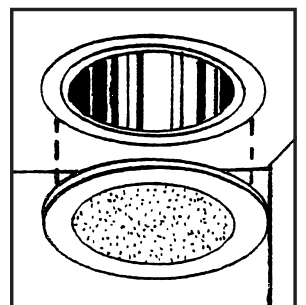
10. Rotate the ceiling elbow toward the solar port. **Remove the protective film from inside the elbows and any extensions.**
11. Attach the Spyder elbow to the solar port and rotate sections until they align with the ceiling elbows. Additional Spyder elbows are available to help with difficult alignments.
12. Attach the extension to the elbows using the Tek-Point screws provided. Equally space 3 screws through the overlap at the extension and the elbows and 2 screws through the overlapped seams of the extension.
13. Use the foil tape to seal all joints and seams in the tube assembly. For maximum thermal performance in colder climates, Sun-Tek recommends wrapping the tube with insulation to reduce heat loss and condensation.

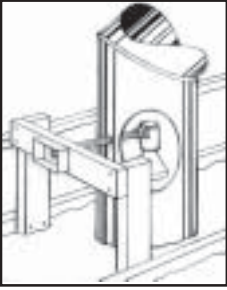


Interior Lens

14. Lubricate the gasket with liquid soap or petroleum jelly and push the weather-stripping side of the ring/lens assembly into the ceiling elbow until the magnets make contact with the steel ring.

14.





Light Kit

You can use your SUN-TEK MULTI-TUBE SYSTEM as an extra light source *DAY OR NIGHT* with the addition of our special light kit.

Extension Tubes

Extension tubes are available for situations requiring More than 47 inches of tubing.



SUN-TEK MULTI-TUBE SYSTEM (SPYDER) - LIMITED WARRANTY

Sun-Tek Manufacturing, Inc. ("Sun-Tek"), 10303 General Drive, Orlando, Florida 32824, (407) 859-2117, warrants this MULTI-TUBE SYSTEM on the following terms and conditions: **A. Warranty Coverage:** This warranty applies to both the original purchaser and first consumer-owner. **B. Warranty Duration:** This warranty shall remain in effect for a period of ten (10) years after the date the tube is purchased or the date it is delivered to the first consumer-owner, whichever is later. **C. Warranty Application:** This warranty applied only to the materials and fabrication of the multi-tube system and does not apply to any defect or damage caused by improper use, improper installation, improper care, shipping damage or accident. This warranty does not cover any cosmetic changes in the tube, including, but not limited to, pitting, hazing, paint finish, discoloration. **D. Performance by Sun-Tek:** During the warranty period, Sun-Tek will provide free of charge an equivalent new tube (or component thereof) for one found to be defective in material or workmanship. Shipping costs of such replacements are not the responsibility of Sun-Tek. Sun-Tek will not be responsible for any costs of removal or re-installation. **E. Validation Procedure:** To obtain performance under this warranty, the purchaser must: (1) **On installed multi-tube system, contact Sun-Tek for instructions before removing . Removal of multi-tube system from roof before inspection will void warranty.** (2) Notify Sun-Tek in writing of any claim within (30) days after the defect is discovered. (3) Sun-Tek or its authorized agents must examine the tube and determine to its satisfaction whether the defect is covered by this warranty; and (4) present a copy of the receipt as proof of purchase. **F. Implied Warranties:** IMPLIED WARRANTIES, INCLUDING BUT NOT LIMITED TO, IMPLIED WARRANTIES OF MERCHANTABILITY AND FITNESS FOR A PARTICULAR PURPOSE, SHALL NOT EXTEND BEYOND THE DURATION OF THE EXPRESS WARRANTIES PROVIDED HEREON. Some states do not allow limitations of how long an implied warranty lasts, so the above limitation may not apply to you. **G. Incidental or Consequential Damages:** SUN-TEK SHALL NOT BE LIABLE FOR ANY INCIDENTAL OR CONSEQUENTIAL DAMAGES WHATSOEVER, INCLUDING, BUT NOT LIMITED TO, LOSS OF TIME OR REVENUE, DAMAGE RESULTING TO OTHER PROPERTY OR EXPENSES, except where states may not allow it.

H. Exclusive Warranty: THIS WARRANTY IS EXCLUSIVE AND IN LIEU OF ALL OTHER WARRANTIES. This warranty gives you specific legal rights. You may have other rights, which vary from state to state.

All installation information is supplied in good faith, but without recommendation as to its use. No guarantee of the results of any use of this information is implied, since conditions of use are beyond our control. Please consult local building codes for compliance before installing. When assembling tube, do not place tools or other items on the dome as it may scratch.



Sun-Tek Manufacturing, Inc.

10303 General Drive

Orlando, FL 32824

www.Sun-Tek.com

CustomerService@Sun-Tek.com